

**BA-S023**

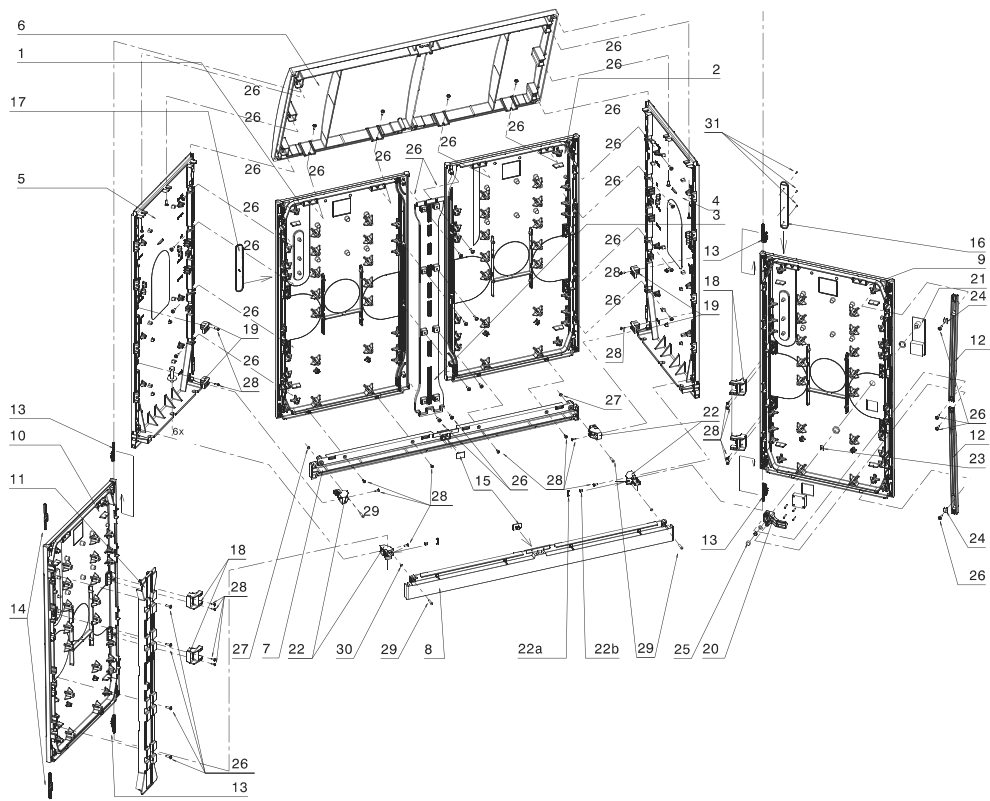
- ⓐ 操作手册
- ⓑ *Operating manual*

1482107

- ⓐ 电缆分线箱 **LABEO – 尺寸 2**
- ⓑ ***Cable distribution cabinet LABEO – Size 2***



日期/*Dated:* 07/16  
更新日期/*Latest update:* 07/16



箱体物料表  
Bill of Material List

BA-S023

		KVSL2-38		KVSL2-31				KVSL2-38		KVSL2-31	
Pg.	Pos.	Order No.	Qty.	Order No.	Qty.	Pg.	Pos.	Order No.	Qty.	Order No.	Qty.
包装	位置	订货号	数量	订货号	数量	包装	位置	订货号	数量	订货号	数量
模 压 件	1	SB34008	1	SB34015	1	B	19	SB8901600	2	SB8901600	4
	2	SB34009	1	SB34016	1		22	SB8901591	4	SB8901591	4
	3	SB34024	1	SB34025	1		22a	SB8900008	2	SB8900008	2
	4	SB33992	1	SB33993	1		22b	SB8900012	2	SB8900012	2
	5	SB33992	1	SB33993	1	C	27	YB66109	2	YB66109	2
	6	SB33998	1	SB33998	1		29	YB65183	4	YB65183	4
	7	SB34002	1	SB34002	1		30	SB8900011	2	SB8900011	2
	8	SB34002	1	SB34002	1	D	15	SB34080	2	SB34080	2
	9	SB3400702	1	SB3401402	1		26	YB68315	27	YB68315	32
	10	SB3400602	1	SB3401302	1		28	YB68317	14	YB68317	20
	11	SB34027	1	SB34028	1		12	SB8901598	2	SB8901599	2
A	13	SB8901594	4	SB8901594	4		16*	SB8901595	1	SB8901595	1
	14	SB8900014	2	SB8900014	2		31*	Y3000094	3	Y3000094	3
	17	SB8901596	2	SB8901596	2		32*	YB68320	/	YB68320	/
	18	SB8901593	2	SB8901593	4		33*	YB68316	/	YB68316	/
	20	SB8901592	1	SB8901592	1						
	21	SB8900346	1	SB8900346	1						
	23	SB8900197	1	SB8900197	1						
	24	SB8900009	2	SB8900009	2						
25	SB8901601	1	SB8901601	1							

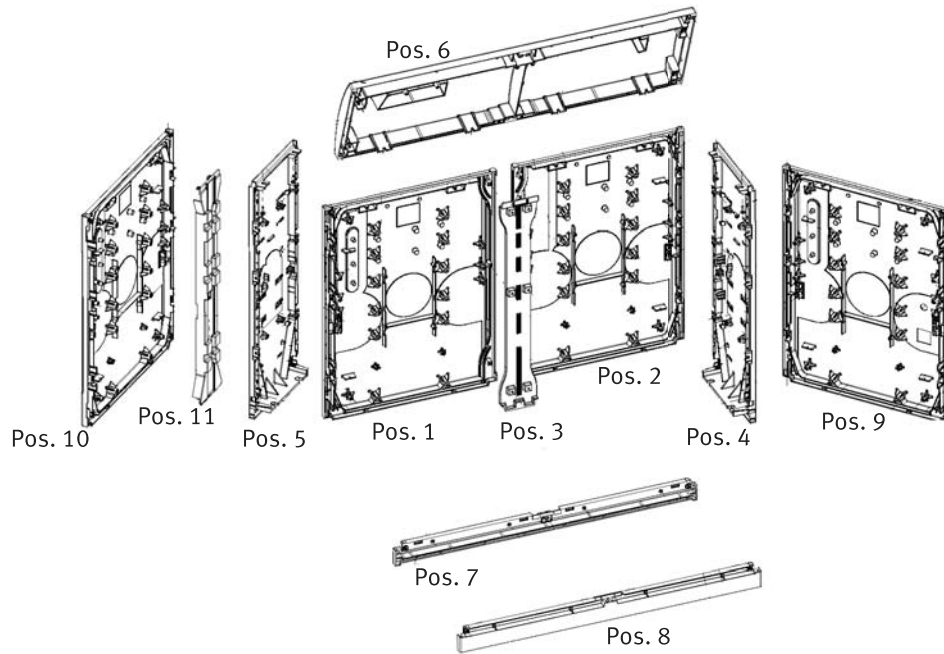
\* 非标准配置，如有需要，请来电详询  
\* Is not included in standard package, please call us if you need it.

		KVSL2-58		KVSL2-51				KVSL2-58		KVSL2-51	
Pg.	Pos.	Order No.	Qty.	Order No.	Qty.	Pg.	Pos.	Order No.	Qty.	Order No.	Qty.
包装	位置	订货号	数量	订货号	数量	包装	位置	订货号	数量	订货号	数量
模 压 件	1	SB34008	1	SB34015	1	B	19	SB8901600	2	SB8901600	4
	2	SB34009	1	SB34016	1		22	SB8901591	4	SB8901591	4
	3	SB34024	1	SB34025	1		22a	SB8900008	2	SB8900008	2
	4	SB34099	1	SB34100	1		22b	SB8900012	2	SB8900012	2
	5	SB34099	1	SB34100	1	C	27	YB66109	2	YB66109	2
	6	SB34098	1	SB34098	1		29	YB65183	4	YB65183	4
	7	SB34002	1	SB34002	1		30	SB8900011	2	SB8900011	2
	8	SB34002	1	SB34002	1	D	15	SB34080	2	SB34080	2
	9	SB3400702	1	SB3401402	1		26	YB68315	29	YB68315	34
	10	SB3400602	1	SB3401302	1		28	YB68317	14	YB68317	20
	11	SB34027	1	SB34028	1		12	SB8901598	2	SB8901599	2
A	13	SB8901594	4	SB8901594	4		16*	SB8901595	1	SB8901595	1
	14	SB8900014	2	SB8900014	2		31*	Y3000094	3	Y3000094	3
	17	SB8901596	2	SB8901596	2		32*	YB68320	/	YB68320	/
	18	SB8901593	2	SB8901593	4		33*	YB68316	/	YB68316	/
	20	SB8901592	1	SB8901592	1						
	21	SB8900346	1	SB8900346	1						
	23	SB8900197	1	SB8900197	1						
	24	SB8900009	2	SB8900009	2						
25	SB8901601	1	SB8901601	1							

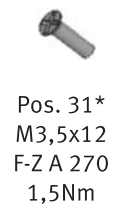
\* 非标准配置, 如有需要, 请来电详询

\* Is not included in standard package, please call us if you need it.

模压件  
Moulded parts



散件装  
SKD

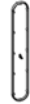


附件包  
Accessory bag

Pos. 13



Pos. 14



Pos. 17



Pos. 18



Pos. 20

## A



Pos. 21



Pos. 23



Pos. 24



Pos. 25

## B



Pos. 19



Pos. 22



Pos. 22a



Pos. 22b

## C

Pos. 27  
M6,0Pos. 29  
M6x25  
Schlitz  
3,0NmPos. 30  
M6,0

Pos. 15

## D

Pos. 26  
M6,0x22  
IP30  
3,0NmPos. 28  
M5,0x16  
IP25  
2,0Nm

## 螺丝拧紧要求:

- 1) 先中间后两边;
- 2) 对角交叉;
- 3) 分三步拧到位。

## How to tighten the screws:

- 1) From middle to both sides;
- 2) Diagonal cross;
- 3) Twist three times until tighten.

以下装配图以KVS2/L/3-08为例  
Sample Cabinet KVS2/L/3-08

BA-S023

**1.**



1 x Pos. 19



4 x Pos. 22



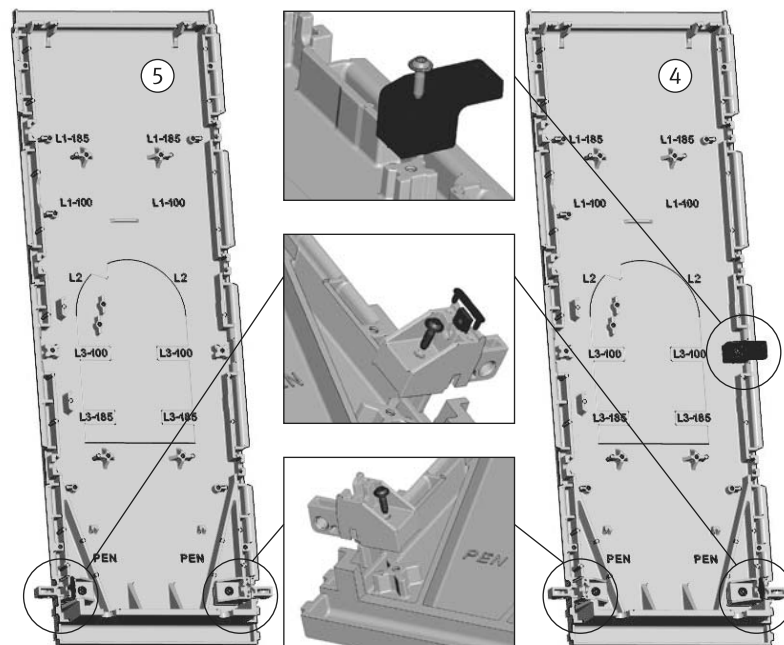
2 x Pos. 22a



2 x Pos. 22b



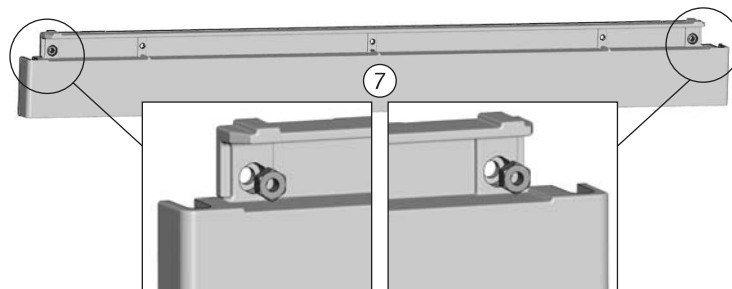
5 x Pos. 28



**2.**



2 x Pos. 27



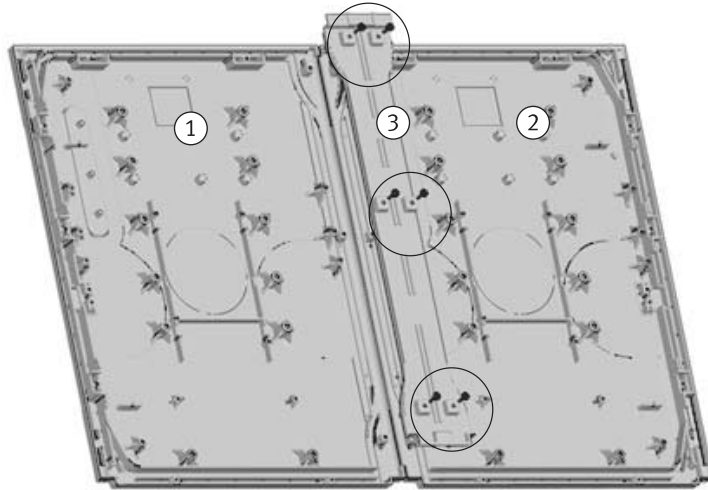
BA-S023

以下装配图以KVS2/L/3-08为例  
Sample Cabinet KVS2/L/3-08

**3.**



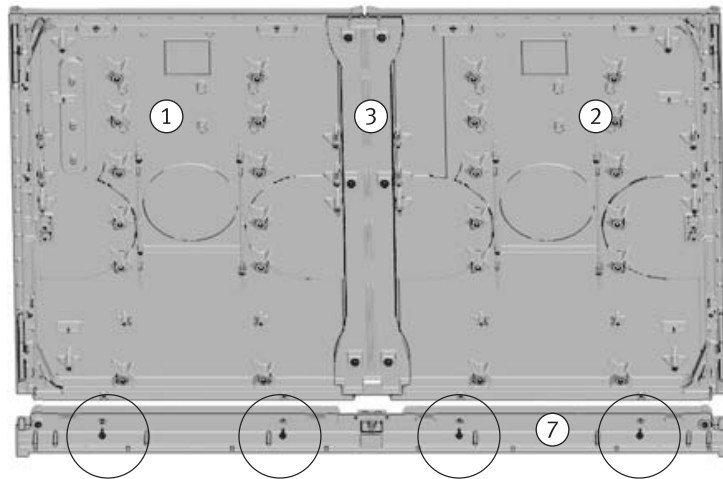
6 x Pos. 26



**4.**

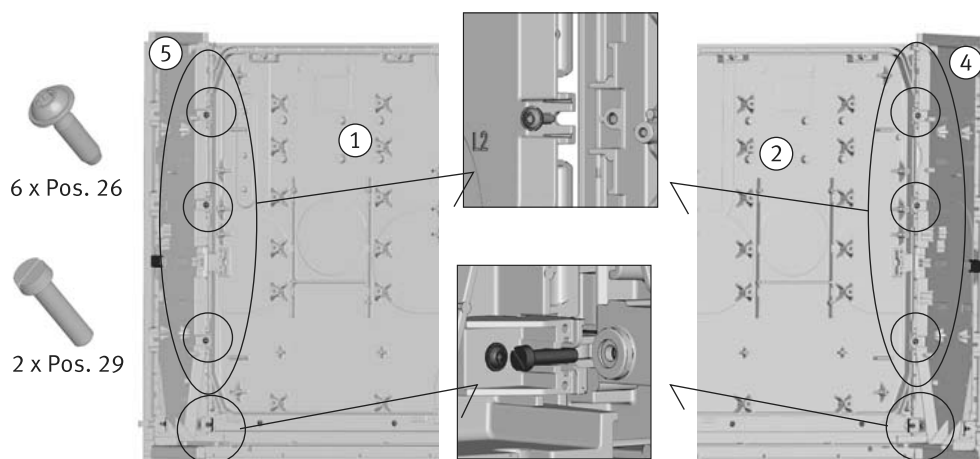


4 x Pos. 28

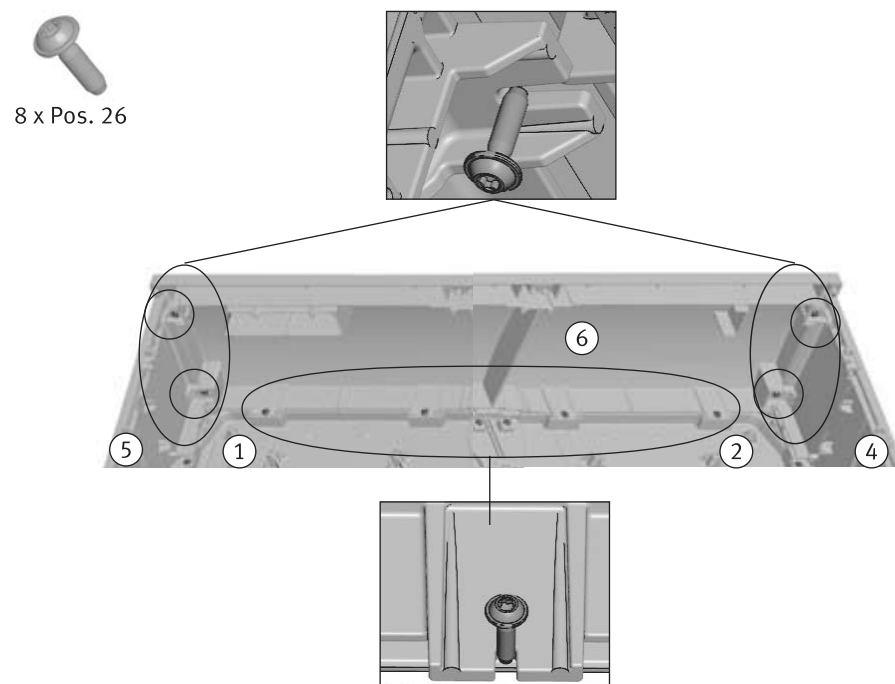




## 5.



## 6.



BA-S023

以下装配图以KVS2/L/3-08为例  
Sample Cabinet KVS2/L/3-08

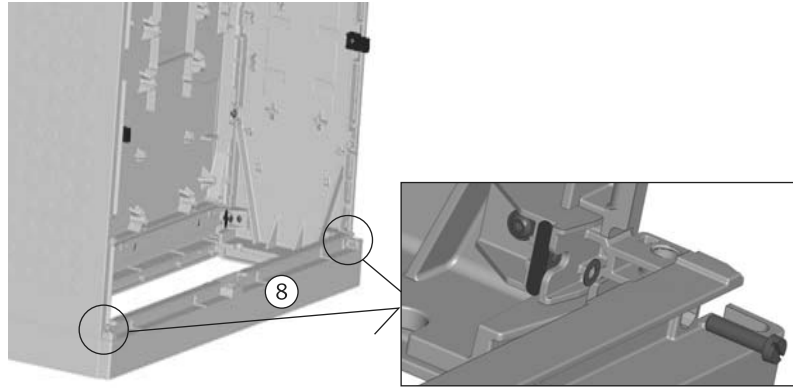
**7.**



2 x Pos. 29



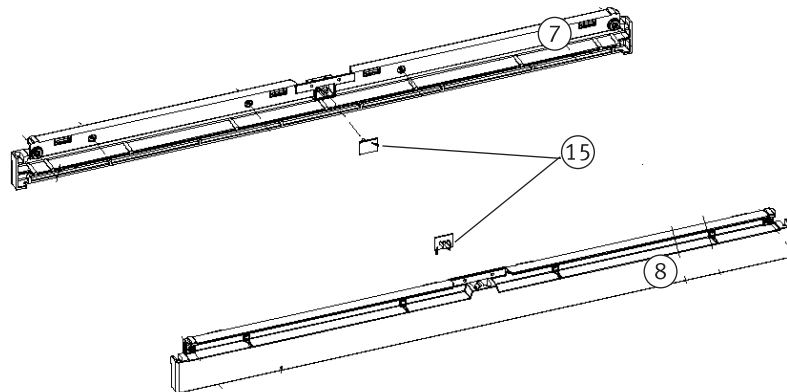
2 x Pos. 30



**8.**



1 x Pos. 15



以下装配图以KVS2/L/3-08为例  
Sample Cabinet KVS2/L/3-08

BA-S023

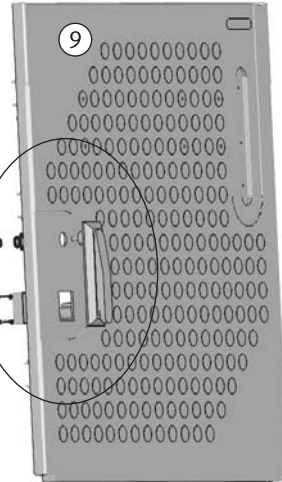
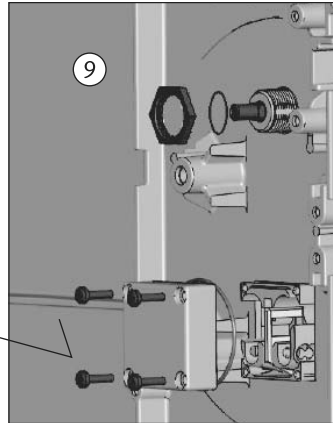
9.



1 x Pos. 21



PH2  
1,5Nm



1 x Pos. 20



1 x Pos. 23



2 x Pos. 24



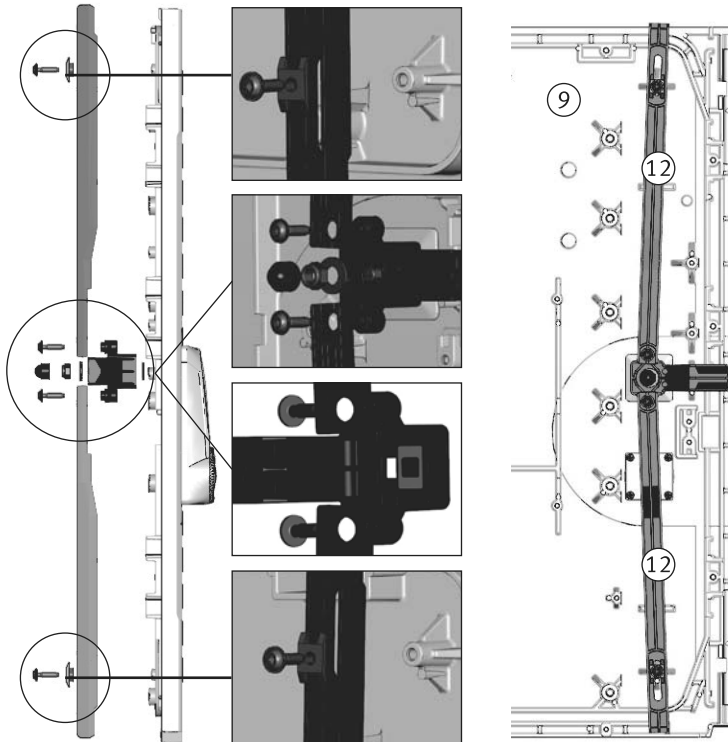
1 x Pos. 25

4 x Pos. 26

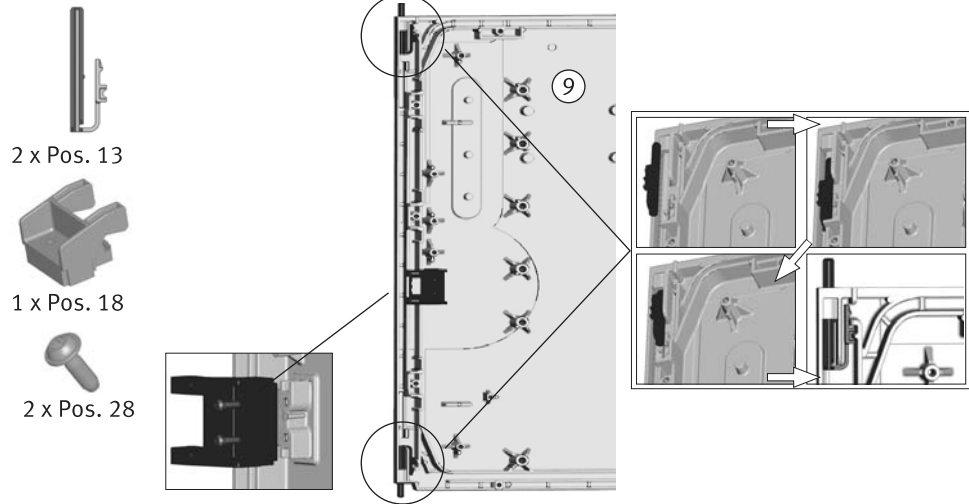


Cr-V 13  
4,3Nm

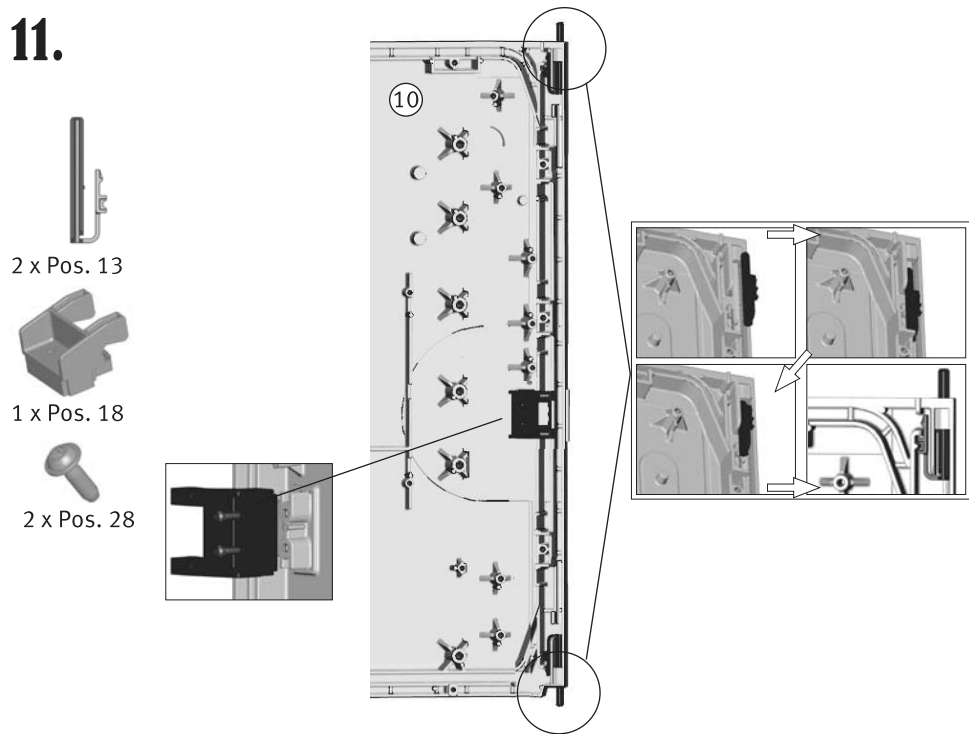
自锁螺母，锁紧后，以锁舌能灵活活动作为佳。  
Self-lock nut, lock handle should be flexible after fasten.



# 10.



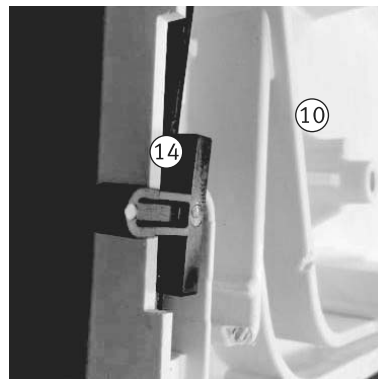
# 11.



## 12.



2x Pos. 14



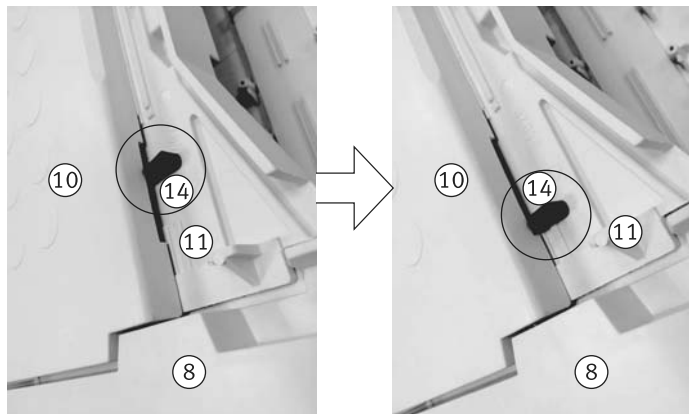
## 13.



3x Pos. 26

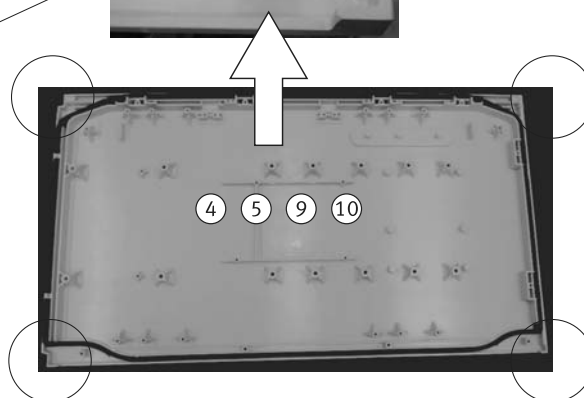
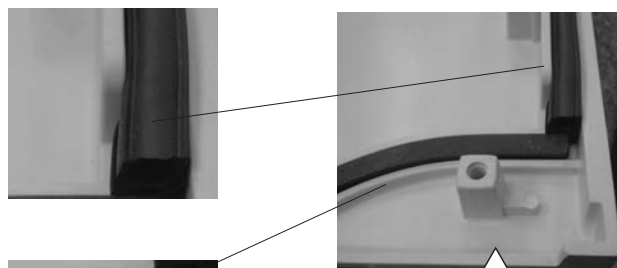


# 14.

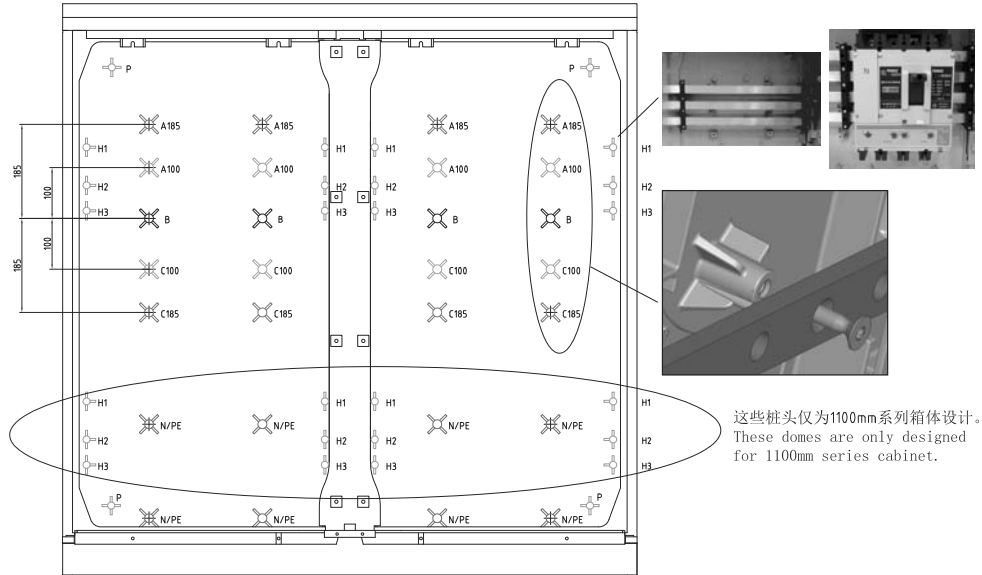


# 15.

IP54



## 16.



说明：

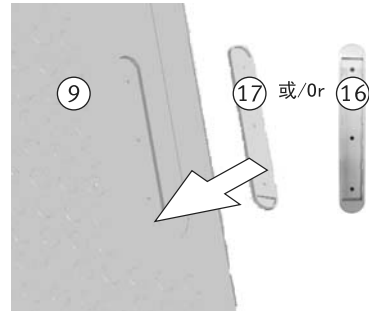
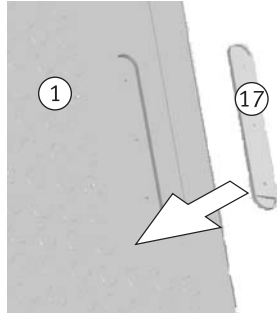
Explain:

序号 No.	铜排 Phase	桩头编号 No. of dome	铜排固定方法 Fixed way of busbar	
1	60mm/3P	ABC	H1-H2	母线支架 (Busbar support): SST-60/3
2	60mm/4P	ABCN	H1-H2-H3	母线支架 (Busbar support): SST-60/4
3	100mm	A100-B-C100-N/PE		螺丝 (Screws): YB68320 或 (or) YB68316;
4	185mm	A185-B-C185-N/PE		铜排厚度 (The thickness of copper bar) : 5~10mm

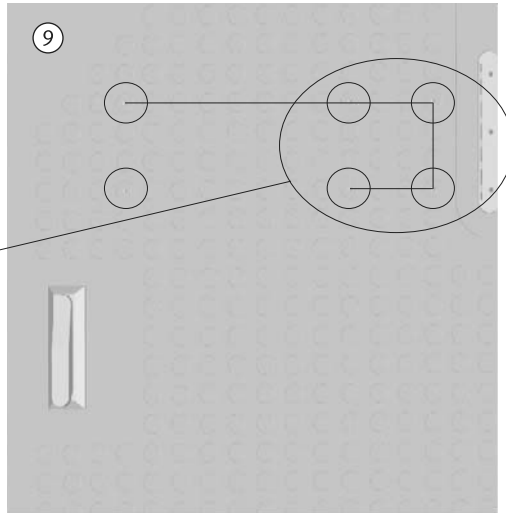
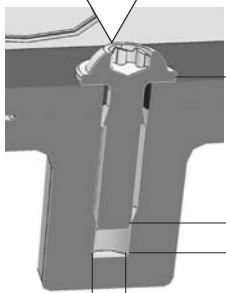
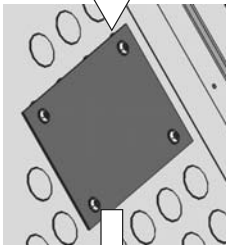
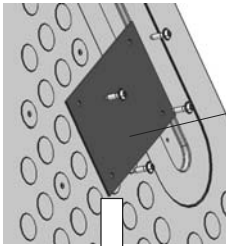
注 PS:

- 如您要安装断路器，可采用60mm母线系统，也可采用安装板，但要注意安装空间的大小及承重。  
If you need to install CBs, you can use the 60mm busbar system or you can also use mounting plate, but please pay attention to the installation space and heavy weight.
- 母线支架，螺丝，铜排等，不是标准配置。  
The Busbar support, Screws, Copper bar etc. aren't in the standard package.
- 具体方案请参考附录：铜排固定示例。  
For details, please check attachment: Busbar Assembling Examples

17.



4 x Pos. 28



说明:

- 1) 铭牌固定孔由客户开孔
- 2) 不能使用通孔方式, 否则影响 IP 等级
- 3) 若使用其他种类螺丝, 请选用合适预制孔尺寸的螺丝

Remark:

- 1) Name plate holes are drilled by customers.
- 2) Don't drilled as a through hole which will affect IP level.
- 3) Please choose correct size of screw according to the post.

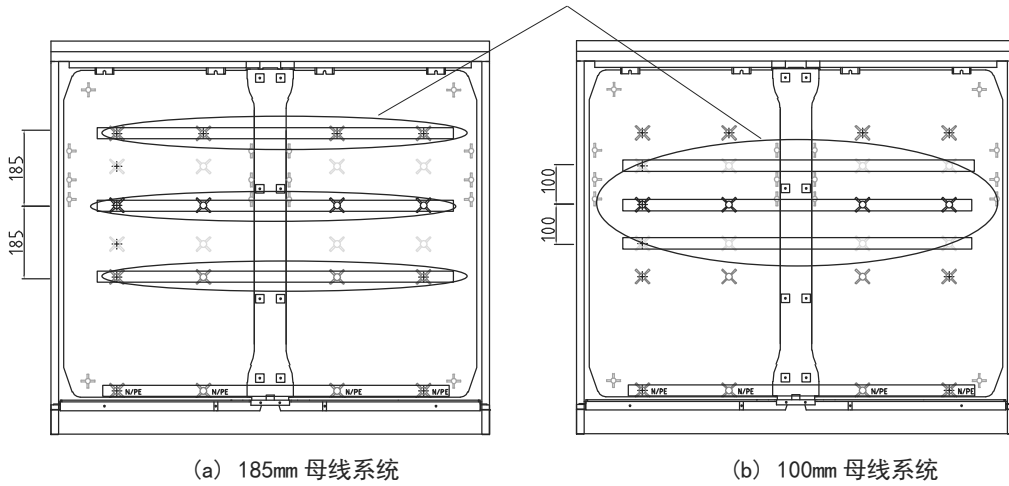
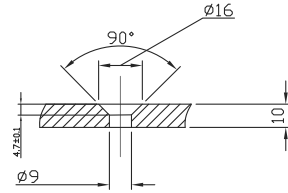
金米勒电气(上海)有限公司  
 Jean Mueller Electric (Shanghai) Co., Ltd.  
 Tel: +86 512 3690 6667  
 Fax: +86 512 3690 6665  
 Http://www.jeanmueller.cn  
 E-mail: info@jeanmueller.cn



## 附录：铜排固定示例 Appendix: Busbar Assembling Examples

1) 尺寸 2 号 850 高 Size2 H=850mm

这 12 个桩头用于固定 3 相铜排，且铜排开孔为沉头孔，使用专用螺钉 YB68320  
These 12 domes are used for fixing busbars, and the busbar holes should be counterbore, using speical screw YB68320



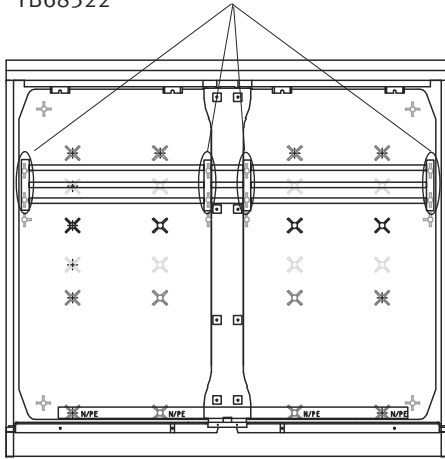
(a) 185mm 母线系统

(b) 100mm 母线系统



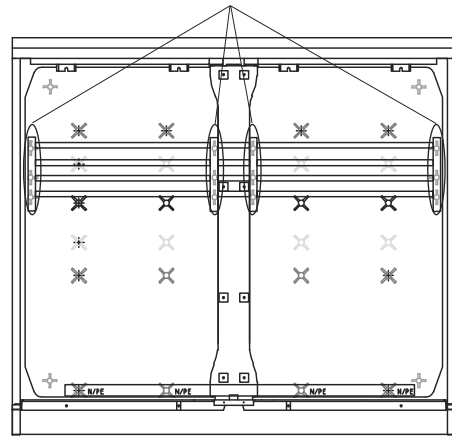
若需安装重物，请先和金米勒技术部联系。  
**If you need to install heavy goods, please contact with us at first.**

这 8 个桩头用于固定 4 个 3 极 60mm 母线支架，使用专用螺钉 YB68322  
These 8 domes are used for fixing 60mm 3P busbar support, using speical screw YB68322

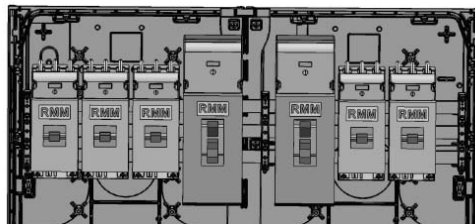
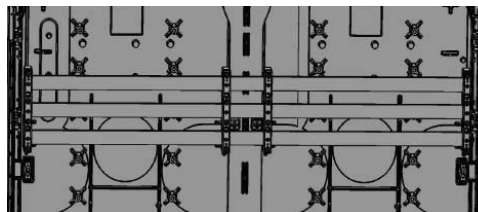


(c) 60mm/3P 母线系统

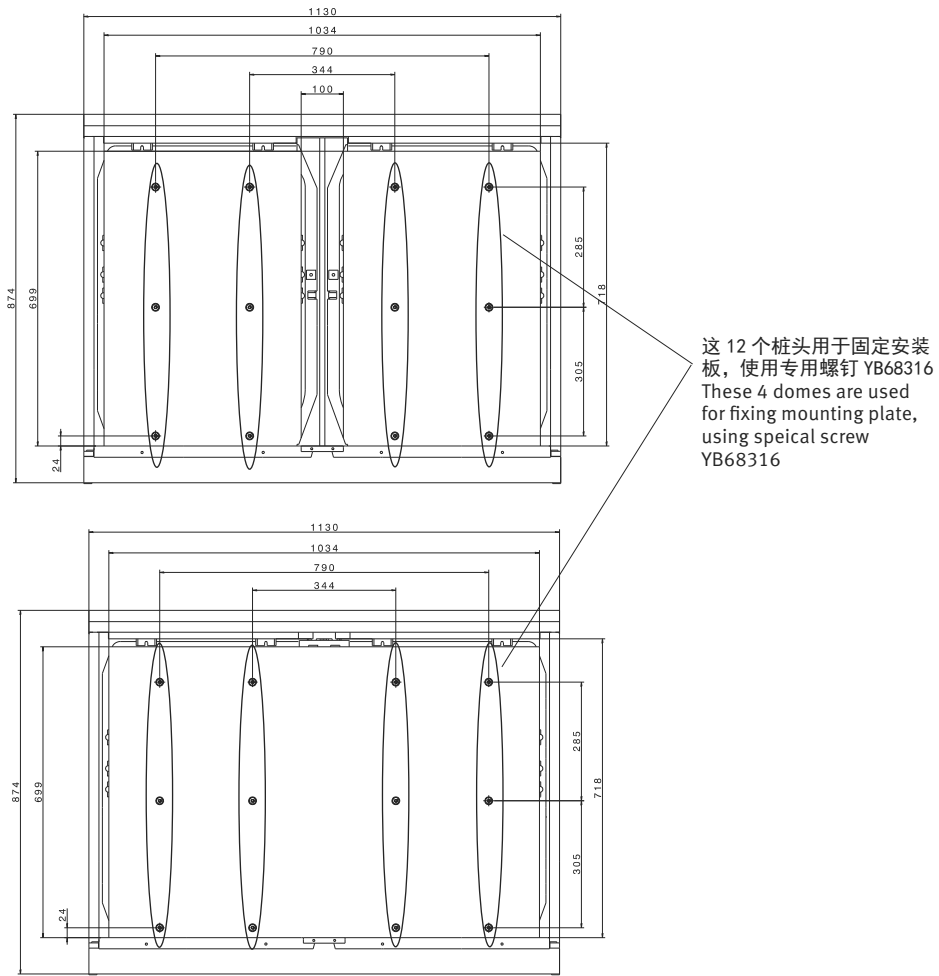
这 12 个桩头用于固定 4 个 4 极 60mm 母线支架，使用专用螺钉 YB68322  
These 12 domes are used for fixing 60mm 4P busbar support, using speical screw YB68322



(d) 60mm/4P 母线系统



若需安装重物，请先和金米勒技术部联系。  
If you need to install heavy goods, please contact with us at first.



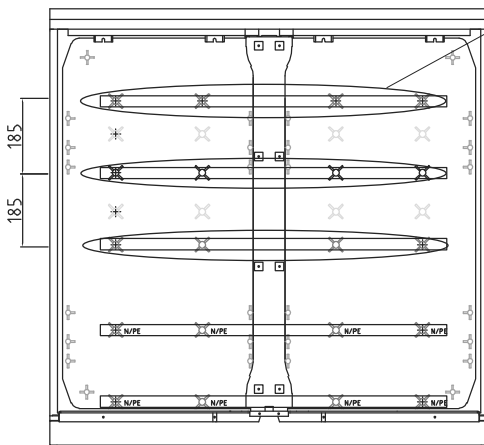
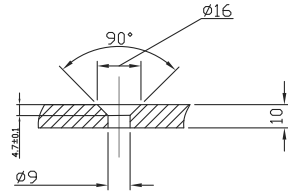
(e) 安装板 Mounting plate



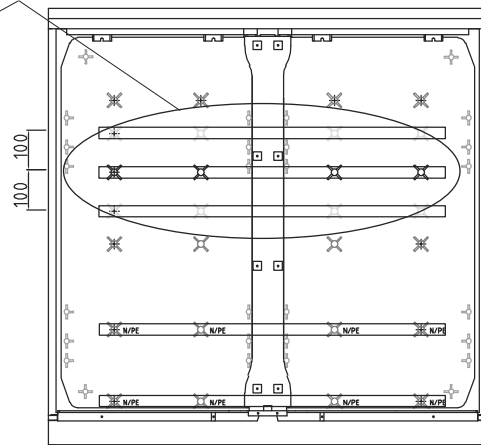
若需安装重物, 请先和金米勒技术部联系。  
**If you need to install heavy goods, please contact with us at first.**

2) 尺寸 2 号 1100 高 Size2 H=1100mm

这 12 个桩头用于固定 3 相铜排, 且铜排开孔为沉头孔, 使用专用螺钉 YB68320  
These 12 domes are used for fixing busbars, and the busbar holes should be counterbore, using speical screw YB68320

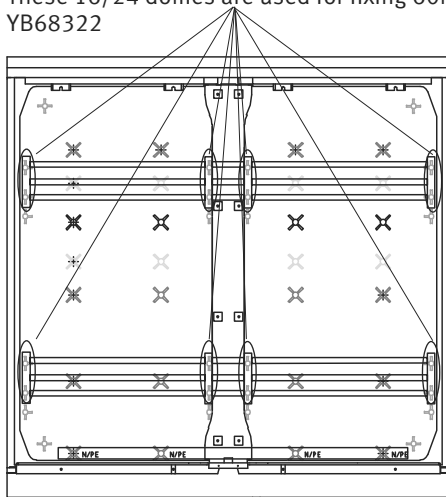


(a) 185mm 母线系统

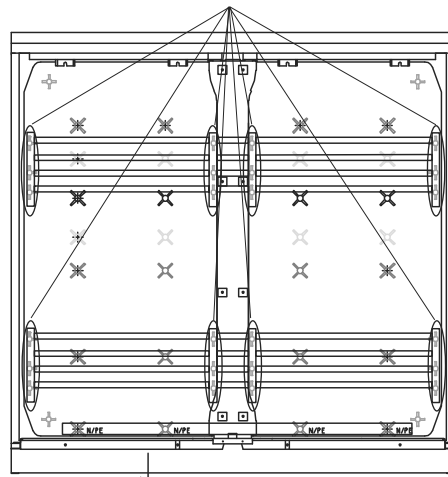


(b) 100mm 母线系统

这 16/24 个桩头用于固定 8 个 3 极 / 4 极 60mm 母线支架, 使用专用螺钉 YB68322  
These 16/24 domes are used for fixing 60mm 3P/4P busbar support, using speical screw YB68322



(c) 60mm/3P 母线系统

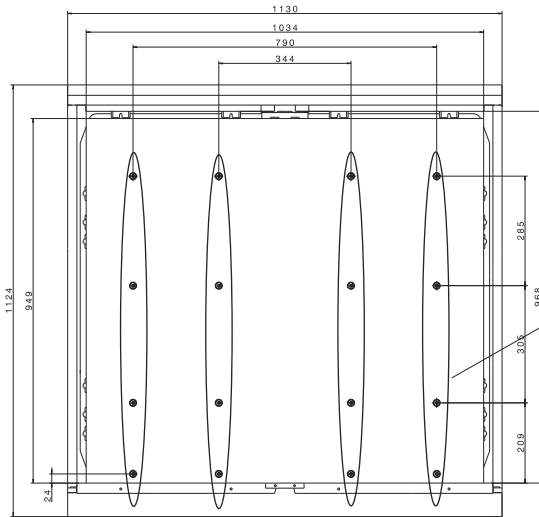


(d) 60mm/4P 母线系统

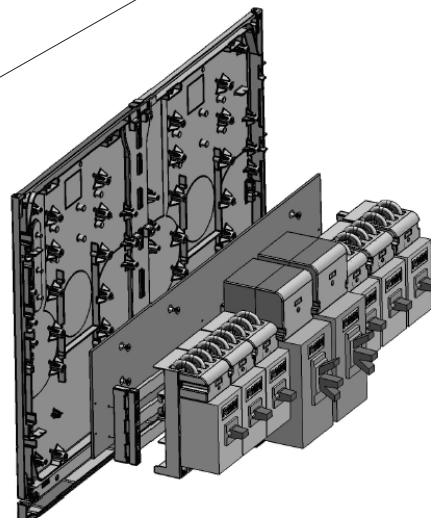


若需安装重物, 请先和金米勒技术部联系。

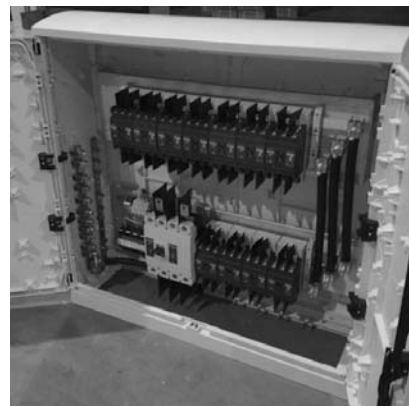
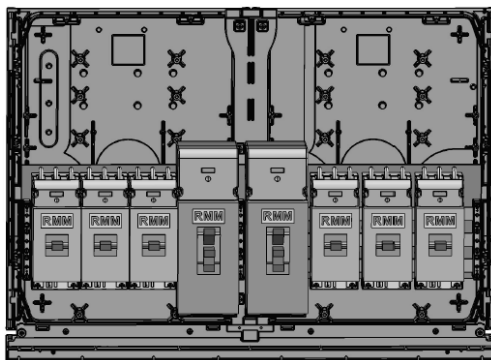
**If you need to install heavy goods, please contact with us at first.**



这 16 个桩头用于固定安装板，使用专用螺钉 YB68316  
These 16 domes are used for fixing mounting plate, using special screw YB68316



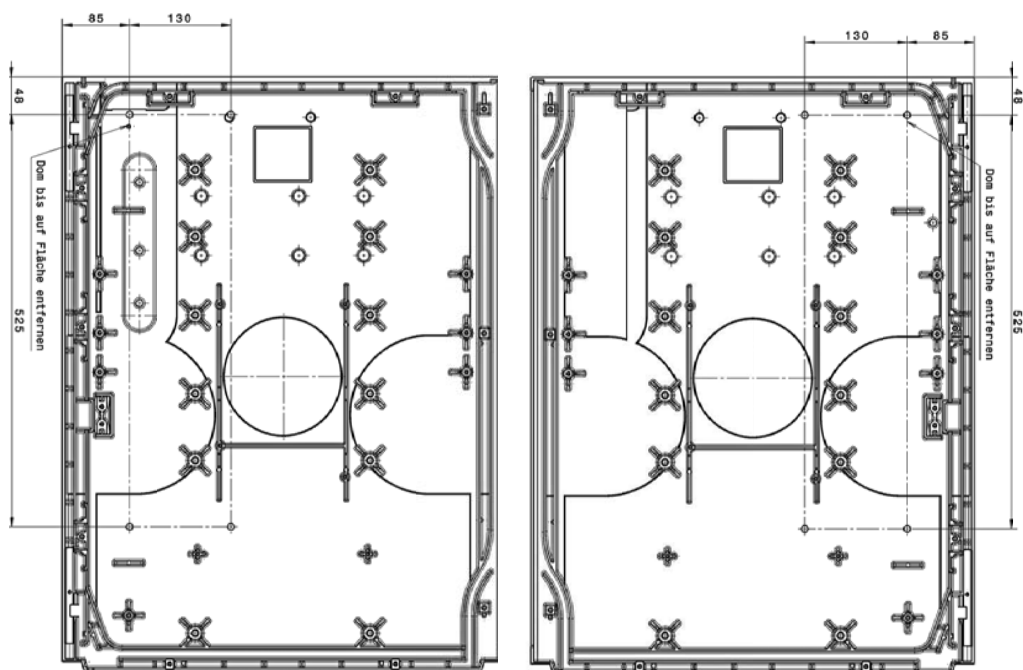
(e) 安装板 Mounting plate



若需安装重物，请先和金米勒技术部联系。  
If you need to install heavy goods, please contact with us at first.

附录2: 挂墙安装  
Appendix 2: Wall mounting

## 1) 背板开孔图 backwall



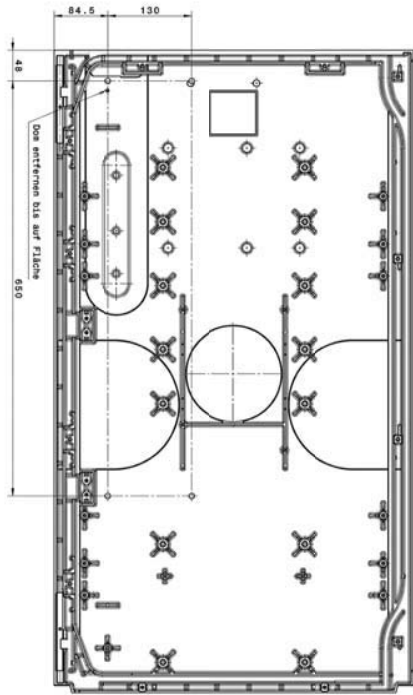
a) S2/850mm left 左背板

b) S2/850mm right 右背板

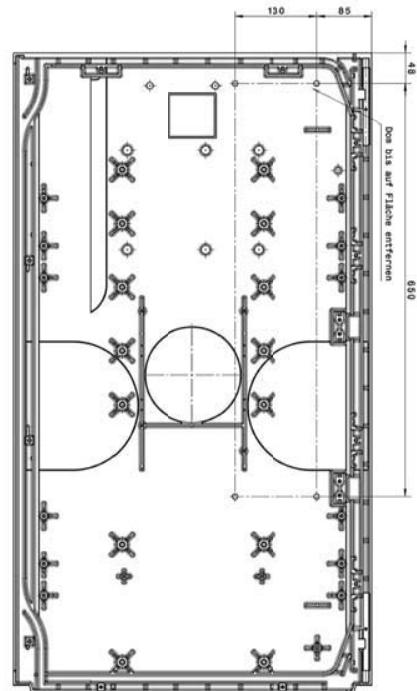


若需安装重物, 请先和金米勒技术部联系。

**If you need to install heavy goods, please contact with us at first.**

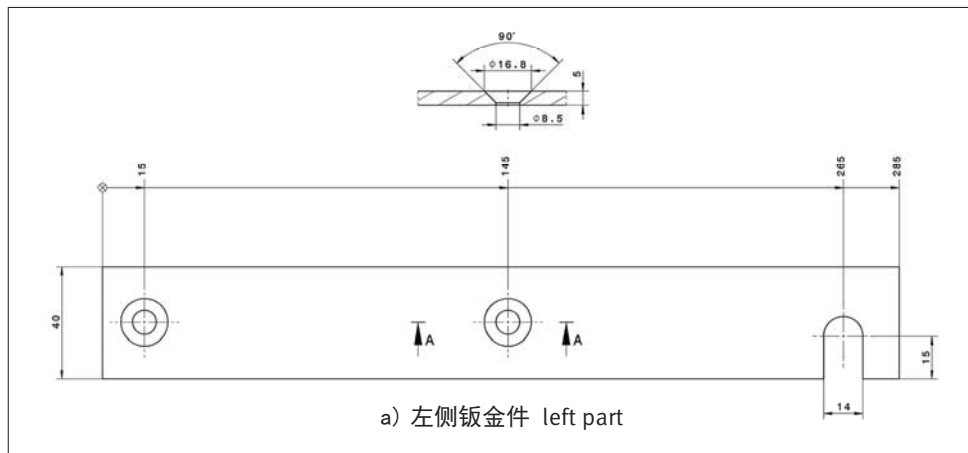


c) S2/1100mm left 左背板

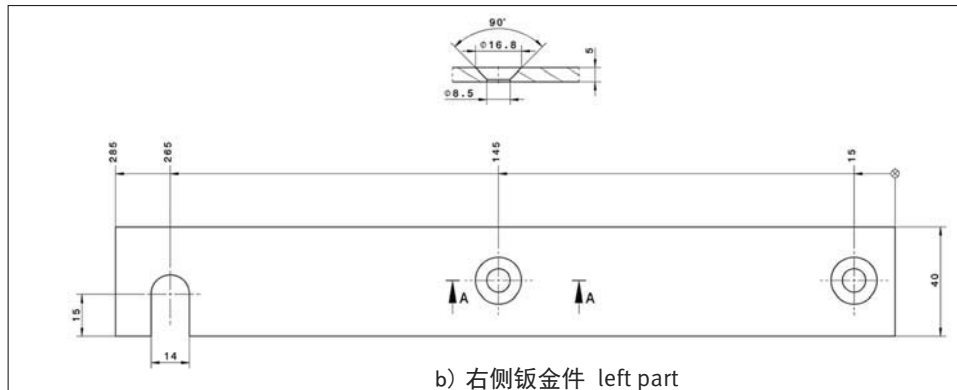


d) S2/1100mm right 右背板

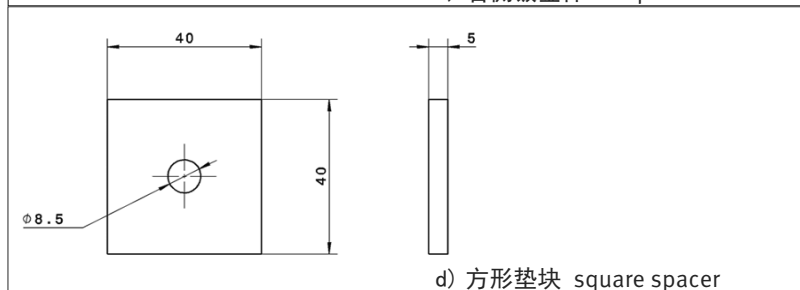
2) 钣金固定件 metal fixing part



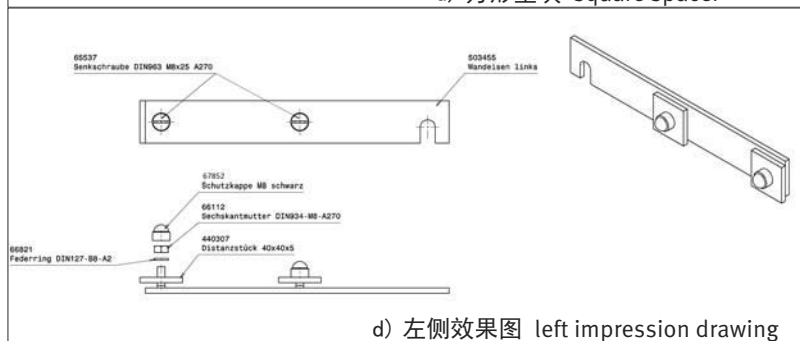
a) 左侧钣金件 left part



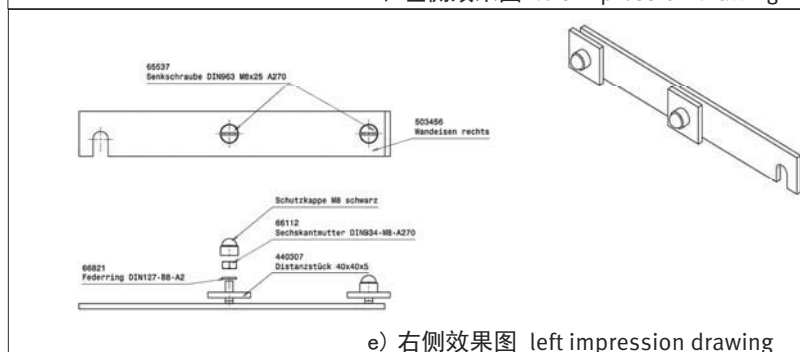
b) 右侧钣金件 left part



d) 方形垫块 square spacer



d) 左侧效果图 left impression drawing



e) 右侧效果图 left impression drawing